



## The RJ-CW-ex Series of Container Washers

### Features

- Modular, batch system for easy expansion
- Optional rinse and drying stages.
- Cleans internally and externally
- Throughputs of up to 576 pails in an 8 hour day
- Efficient and safe for operators

### Cleaning Agents

- Detergent and water
- Alternative “green” solvents
- Caustic Solutions
- Flammable solvents

Rotajet Systems Ltd.  
14 Flanshaw Way  
Wakefield  
West Yorkshire  
WF2 9LP



## Container washers - Series RJ-CW-ex

The Rotajet's RJ-CW-ex series range in capacity, from the RJ-CW-25/9-ex which washes 9x25L per batch to the RJ-CW-25/12-ex which washes 12 per batch. Each machine is offered with up to three stages. A single stage wash, two-stage wash and rinse or three stage wash, rinse and final rinse.

The RJ-CW-ex series are fitted with high pressure rotating spray nozzles that give total cleaning coverage within the containers ensuring they are completely clean.

Rotajet fit the machines with integral sumps containing the washing and rinsing cleaning liquids, these sumps are fitted with coarse and fine filtration that prolongs the operating life of the working solutions.

In general, the pail washing and bucket washing machines use water-based detergents to remove any contaminants such as foodstuffs or chemical residues. Depending on your application, the machines can either be heated or run at ambient temperature.



Fig. 1: Container Washer Series RJ-CW-25/12-ex

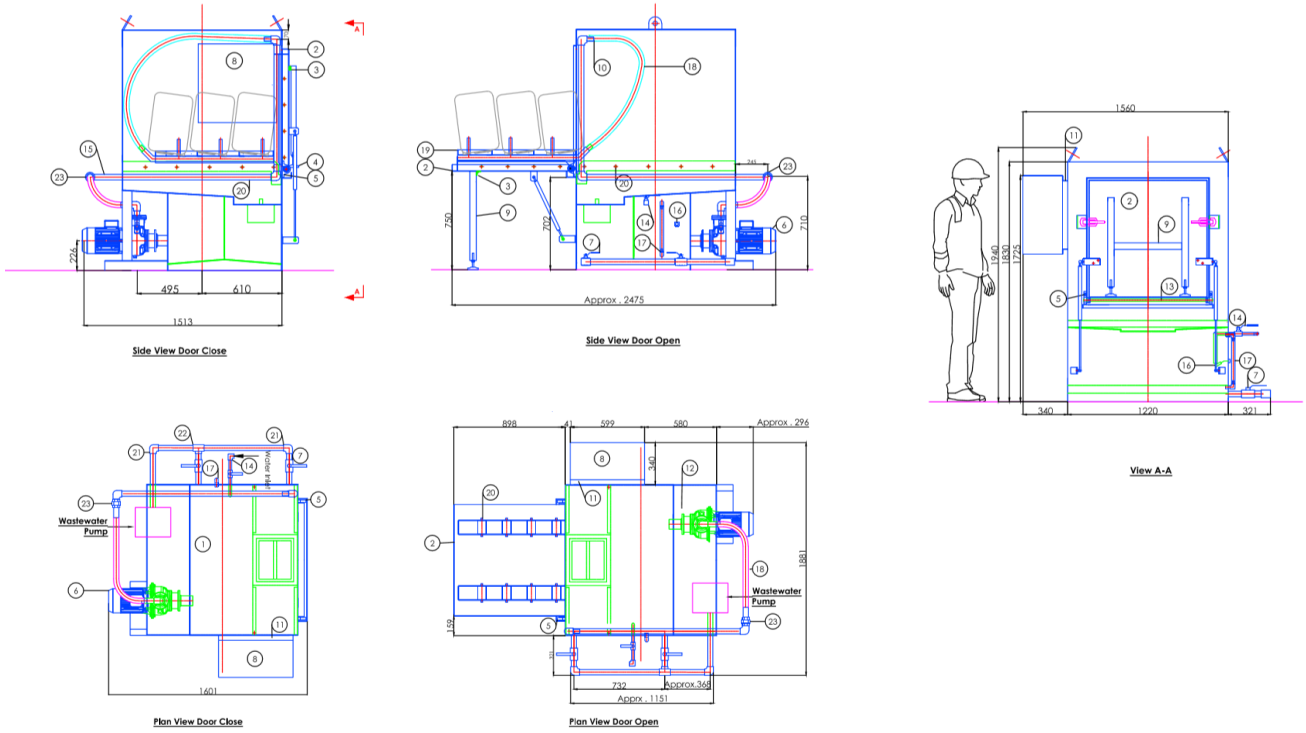


Fig. 2: Container Washer Series RJ-CW-25/9-ex

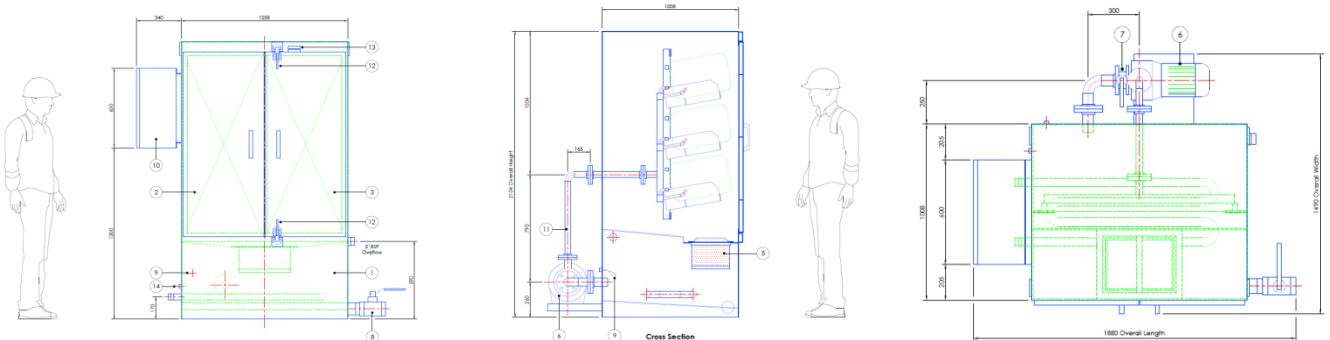
Type	RJ-CW-25/9-ex	RJ-CW-25/12-ex
<b>Batch Size (x25L)</b>	9	12
<b>Cycle Time (min)</b>	10	10
<b>Throughput Rates</b>		
<b>Per Hour</b>	54	72
<b>Per Day</b>	432	576
<b>Available Cleaning Solutions</b>		
<b>Aqueous Solutions</b>	✓	✓
<b>Green Solvents</b>	✓	✓
<b>Caustic Solution</b>	✓	✓
<b>Flammable Solvents</b>	✓	✓

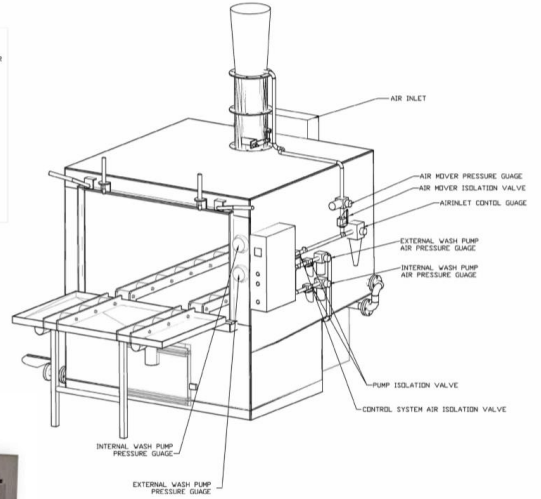
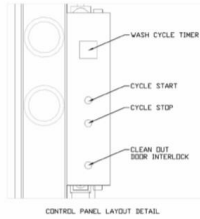
## Layout Drawings

RJ-CW-25/9-ex



RJ-CW-25/9-ex





**Our Products Range**

- Plastic Washers
- Plastic Dryers
- Sink Float Tanks
- Granulators
- Shredders
- Feed Hoppers
- Conveying systems

**Rotajet Systems Ltd.**

14 Flanshaw Way  
Wakefield  
West Yorkshire  
WF2 9LP  
United Kingdom  
(+44)1924 271446

Email: [info@rotajet.co.uk](mailto:info@rotajet.co.uk)  
[www.plasticwashing.co.uk](http://www.plasticwashing.co.uk)